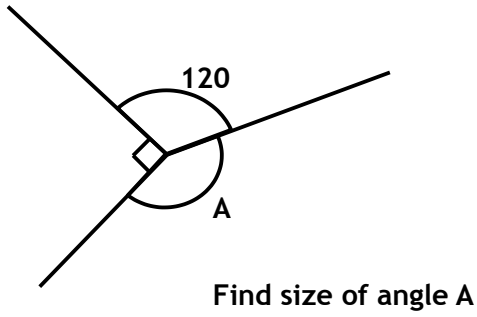
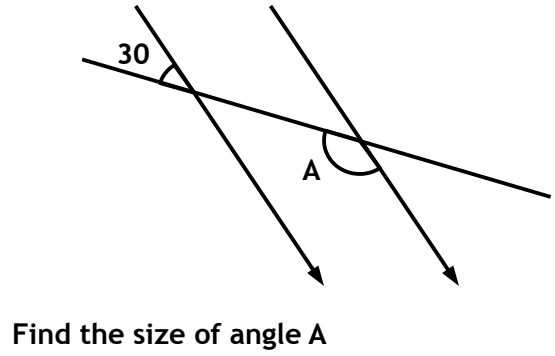


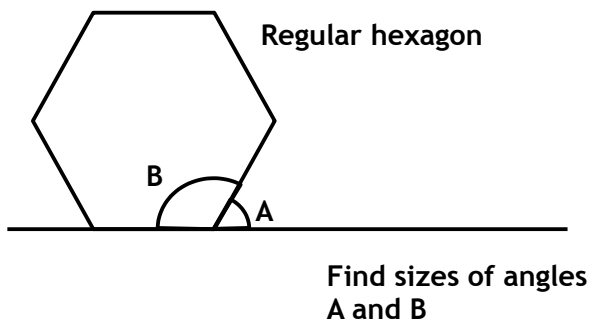
Angle question 1



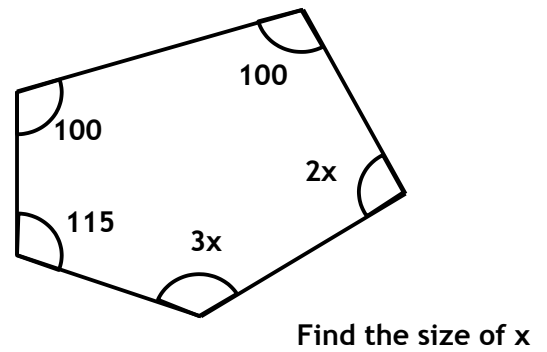
Angle question 4



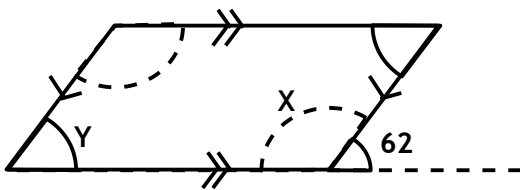
Angle question 2



Angle question 5



Angle question 3



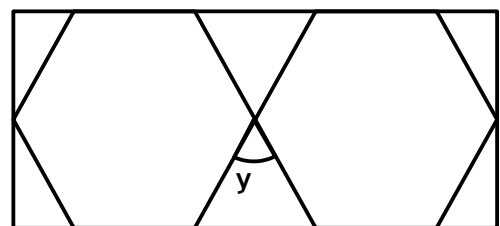
Name the shape

Find the size of angle X and of angle Y

Explain how you found the answers

Angle question 6

Regular hexagons inside a rectangle



Find the size of y

What angle facts did you use?